

### FEATURES

- Touchless automatic sensor faucet
- SOFT FLOW™ prevents splashing
- SAFETY THERMO® thermostatic mixing valve for scald prevention
- Cost saving WaterSense® Certified 1.1 gpm faucet
- Temperature indicating LED light
- Requires TLP01702U Controller (sold separately)
- Drain assembly not included

### COLORS/FINISHES

- #CP Polished Chrome
- #BN Brushed Nickel

### PRODUCT SPECIFICATION

Product shall have a maximum flow rate of 1.1 gpm (4.2 lpm). Product shall have a brass construction. Product shall be an automatic sensor faucet. Product shall be TOTO Model TLP01701U#\_\_\_\_\_.

### CODES/STANDARDS

- Meets or exceeds ASME A112.18.1/CSA B125.1, ASSE 1070/ASME A112.1070 / CSA B125.70, NSF61-9, UL1951, UL1310, CAN/CSA C22.2
- Certifications: IAPMO(cUPC), EPA WaterSense, State of Massachusetts and others
- Code Compliance: UPC, IPC, NSPC, NPC Canada, CEC, DOE, and others
- California Green Building Code, City of Los Angeles Water Efficiency Ordinance
- Complies with federal and state requirements as lead-free (weighted average of 0.25% lead or less)
- ADA compliant
- Complies with CA Prop 65 warning requirements



SOFT FLOW™



SAFETY THERMO®



Auto Functions



TLP01702U Controller  
(Sold Separately)

# TLP01701U

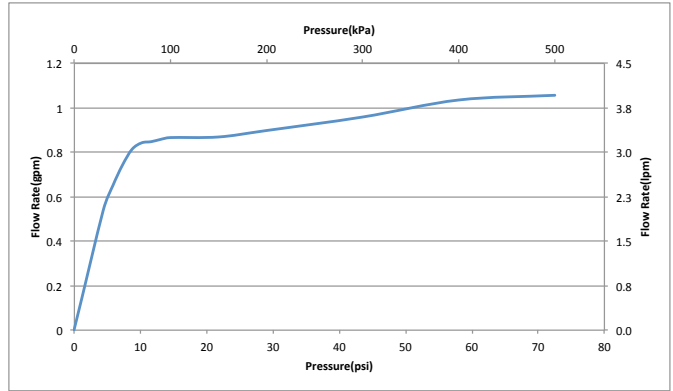
## ZN Lavatory Faucet

### SPECIFICATIONS

<b>Material</b>	Brass
<b>Maximum Flow Rate</b>	1.1 gpm (4.2 lpm)
<b>Power Supply</b>	AC 100~240 V
<b>Power Cord Length</b>	29-1/2" (750mm)
<b>Sensor Detection Range</b>	5-1/8" ~ 7-7/8" (130~200mm)
<b>Water Supply Pressure</b>	Min. Required: 15 psi (138 kPa) (Flowing) Max Allowed: 80 psi (551 kPa)
<b>Water Supply Connection</b>	1/2-14 NSPM
<b>Inlet Temp. Range</b>	HOT: 120~180°F (49~82°C) COLD: 39~80°F (4~27°C)
<b>Ambient Temp.</b>	32~104°F (0~40°C)
<b>Humidity Max.</b>	90% RH
<b>Warranty</b>	Three Year Limited

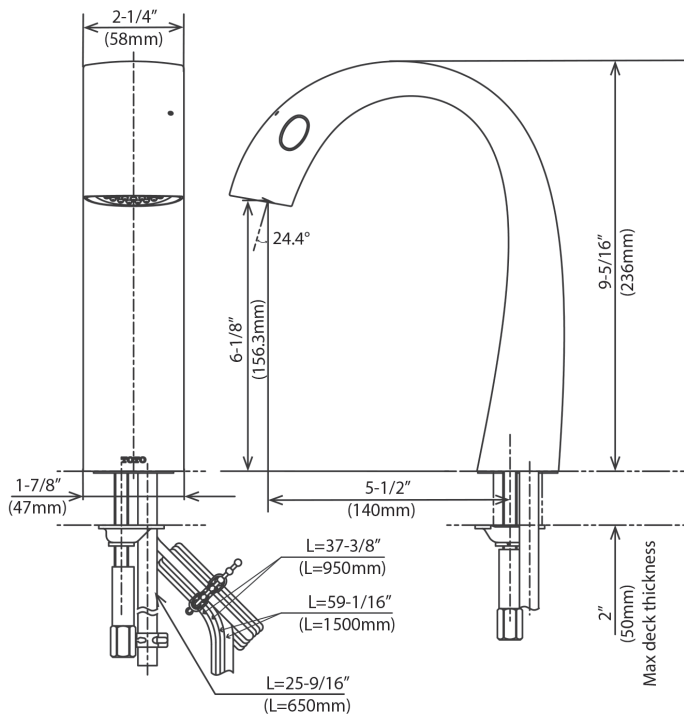
### INSTALLATION NOTES

- Requires TLP01702U Controller (sold separately)
- Check local plumbing code for specification requirements



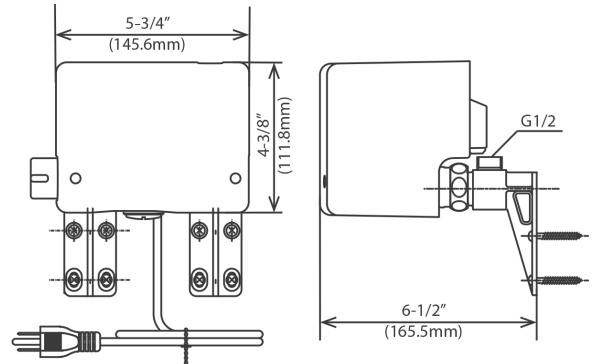
### DIMENSIONS

#### TLP01701U



Faucet hole  $\varnothing$ 1-1/4" ( $\varnothing$ 32mm) -  $\varnothing$ 1-1/2" ( $\varnothing$ 38mm)

#### TLP01702U



**TOTO**<sup>®</sup>

*These dimensions and specifications are subject to change without notice*

Ph: (888) 295-8134 | Fax: (800) 699-4889 | www.totousa.com | © TOTO USA

# SS-01262 v.02