

WuduMate



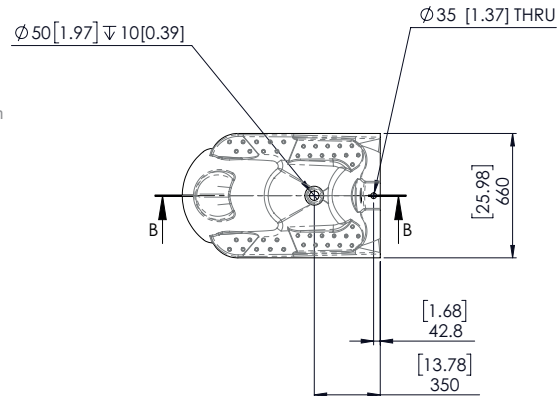
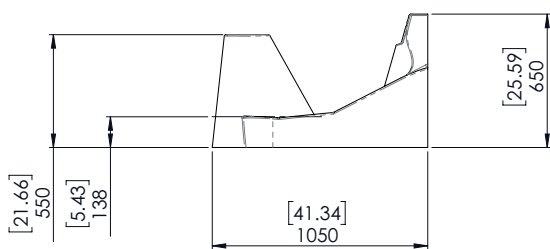
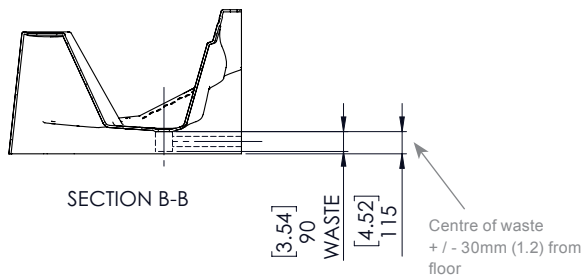
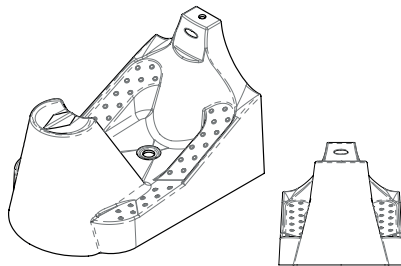
CLASSIC

CODE: WM-CLAS

CSA Certification No: 301439

Specification Sheet

Imperial & Metric



All dimensions in Inches & mm

The information in this specification sheet reflects the current technical specifications at the time of print. We reserve the right to change the technical or physical specifications without prior notice. All WuduMate images and symbols are exclusive property of Specialist Washing Co. Specialist Washing Co. accept no liability for loss or damage caused by improper installation. Any reproduction or retransmission or republication of any part of this specification sheet is strictly prohibited, unless prior written permission has been granted by Specialist Washing Co, E&OE. DEC2020

UNICLASS L721:N5352	EPIC H12:Y3107
CI/SfB (74.2)	(U35)
(RIBA CLASSIFICATION)	

Description

Easily installed wudu unit for commercial buildings

Illustrated

WuduMate Classic

Product Code: WM-CLAS

Colour

White as standard

Product code: WM-CLAS-WHT

Material

Sanitary-grade, reinforced acrylic

Normally Included

WuduMate Classic,
tap & fixings

Weight / Size

Net: 40lbs/18kg
Gross: 46lbs/21kg

Carton Size (mm) / Inches
(L:1070) x (W720) x (H:680)
L42.11 x W28.35 x H26.77

Accessories/Options

- WuduMate Classic Taps
 - Manual Lever Monobloc Tap
 - Manual Lever Pillar Tap Round / Square
 - Pillar Tap Round / Square
 - Pillar Tap Square with Lever
 - Sensor Tap
- Aerators
- Thermostatic Mixing Valve (TMV3)
- Panel Mounted Soap Dispenser
- Anti-Slip Shaped Matting

Frequent Applications

Municipal • Education • Healthcare • Justice • Office • Commercial

Special Notes

'Water-in' and 'waste-out' through either floor or rear of the unit, negating the need for sub-floor access.

Ensure the protective covering along unit's base is removed prior to installation. Failure to do so will void warranty.

Associated Products

Wudumate Compact (Acrylic or Porcelain) for residential use or where space is limited.

Wudumate Modular for high usage areas including Mosques.

Wudumate Mobile for moveable wudu appliances.

WuduMate



+44 (0)1784 748080 • info@wudumate.com