

GS Series
Single Lever Lavatory Faucet
(Semi-tall Vessel) (w/ Pop-up Waste)



Features

- Design Concept is Gorgeous and Regal
- Long lasting, COMFORT GLIDE mechanism for a smooth operation
- High corrosion resistance plating
- TOTO aerated water technology, ECOCAP adds air to the water to achieve full water jet with less amount of water usage

Specifications

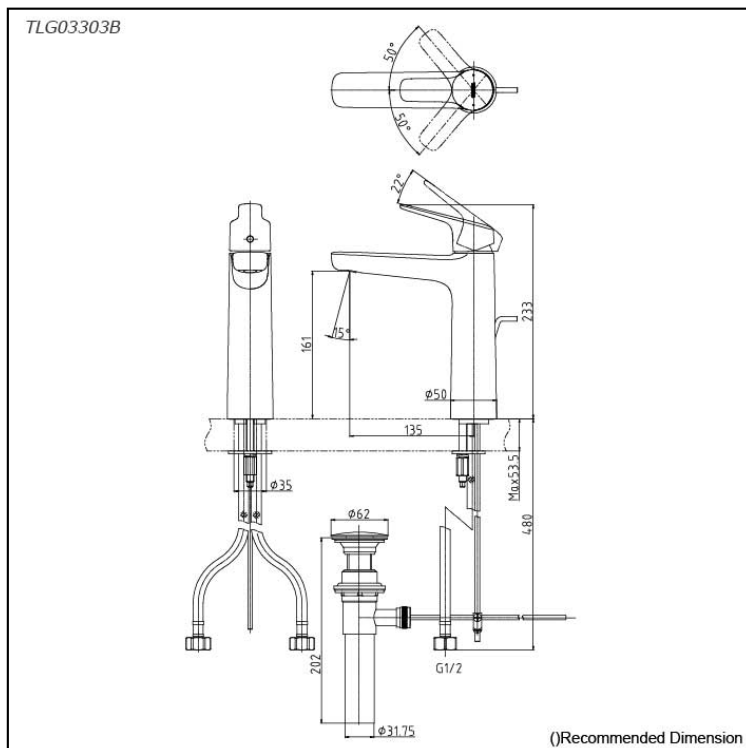
Finish: Chrome
Material: Brass
Water Pressure: 0.05MPa~1.0MPa

Parts description

- **TLG03303B**
Single Lever Lavatory Faucet (Semi-tall Vessel) (w/ Pop-up Waste)



reddot award 2018
winner



Flow Rate

TLG03303B

