

## Technische Daten

KLUDI ZENTA SL  
single lever basin mixer  
DN 15

Article- Nr.:  
480270565

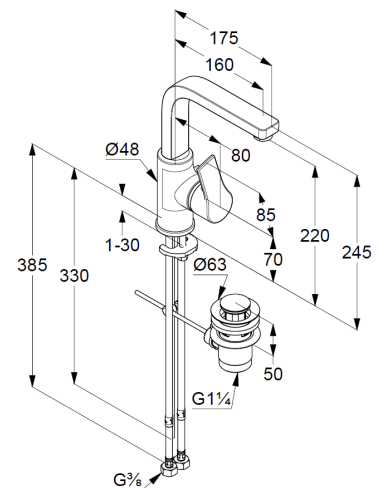
Surface:  
O5 chrome

manufacturer KLUDI GmbH & Co. KG  
Typ: KLUDI ZENTA SL  
single lever basin mixer  
DN 15/ PN 10  
Art. Nr. 480270565  
basin mixer  
single lever mixer  
single hole mounted  
lateral actuation  
solid handle, metal  
aerator M24  
ceramic cartridge with hotwater safety device  
flow rate at 3 bar = 7 l/ min.  
swivel spout (360°)  
flexible hoses G 3/8 DVGW approved  
rapid installation set  
pop up waste 1 1/4" metal

Product Picture



Dimensional drawing



Flow rate diagram

