

VIRGINIA

Oval acrylic bath with waste kit



DIMENSIONS

Length 1700 mm.

Width 800 mm.

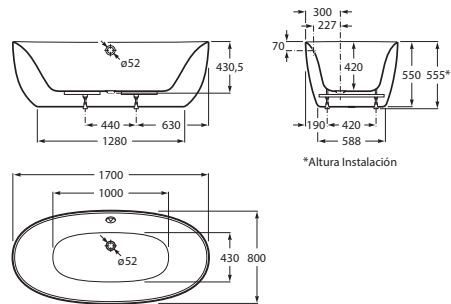
Height 560 mm.

COLOURS AND FINISHES



00 White

TECHNICAL DRAWINGS



FEATURES

- Drain: Included
- Drain diameter (mm): 52
- Inside height (mm): 420
- Inside length (mm): 1700
- Inside width (mm): 800
- Installation legs: With legs
- Installation structure: With feet
- Installation type: Freestanding
- Material: Acrylic
- Overflow trim included
- People capacity: 1
- Shape: Oval
- Water capacity (l): 175
- Weight (kg): 31

# Virginia

The Virginia freestanding bath, with its curved lines and subtle shapes, creates the perfect environment for a relaxing moment.

## INSTALLATION AND USER MANUALS

[Installation handbook](#)