

Product: KLUDI FIZZ Dual Shower System KB 3 DN 15

Ref.: 6709305-00

Product description

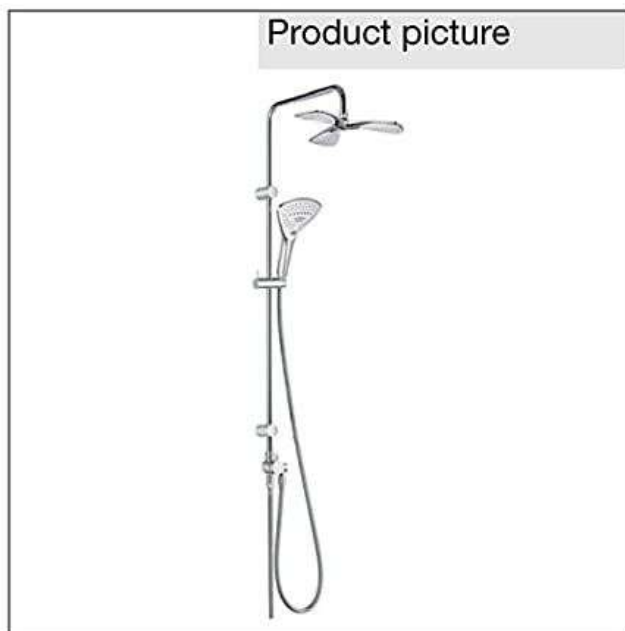
Dual Shower System KB 3 DN 15
 wall fastening
 flow class AA
 two-way ceramic diverter
 water supply with hose 1/2 x 1/2 inch x 800 mm
 ridgeless adjustable shower holder
 vertically and horizontally adjustable
 with KLUDI SUPARAFLEX shower hose 1/2 x 1/2 inch x 1600 mm
 with KLUDI FIZZ head shower KB 3
 with KLUDI FIZZ 3S hand shower
 with fixing kit
 without shower mixer

Finishes:
 05 chrome

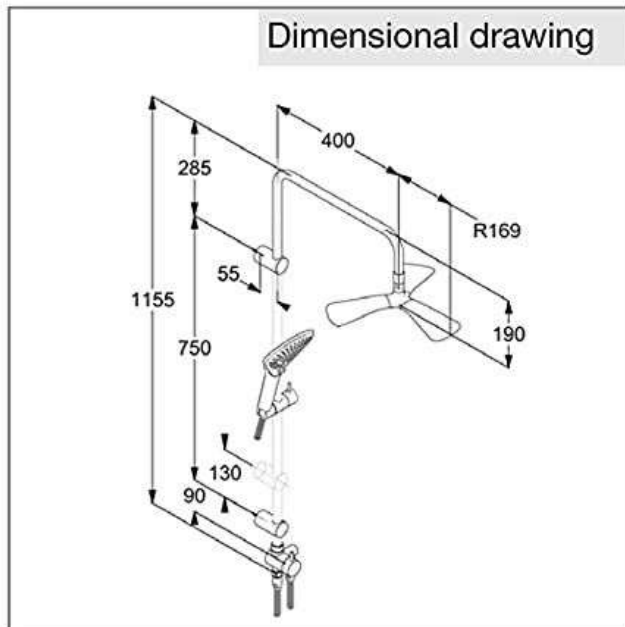
Advertisement

Dual Shower System, manufacturer KLUDI GmbH & Co KG
 KLUDI FIZZ item no. 6709305-00
 type: Dual Shower System KB 3, DN 15 / PN 5, chrome plated brass / plastic, lever chrome plated metal, with 2 way ceramic diverter cartridge: head shower to hand shower, connecting hose 1/2 x 1/2 inch x 800 mm, flow rate hand shower 11 l/min at 3 bar, flow rate head shower 15 l/min at 3 bar, with KLUDI FIZZ head shower KB 3, with cleaning system, chrome plated plastic/metal, shower riser with rigid pipe clip and fixing kit, with ridgeless adjustable shower holder vertically and horizontally adjustable, with KLUDI FIZZ 3S hand shower with booster / linear / volume spray, chrome plated plastic, with cleaning system, connection 1/2 inch, with KLUDI SUPARAFLEX shower hose 1/2 x 1/2 inch x 1600 mm, plastic coated with metal effect, safe against twisting, with fixing kit, without shower mixer DN 15 or thermostatic shower mixer DN 15, protection against back flow DIN EN 1717 over shower mixer or wall supply, for continuous line heater, for pressure type water heater
 dimensions: height: 1155 mm, projection: 624 mm

Product picture



Dimensional drawing



Flow rate diagram

