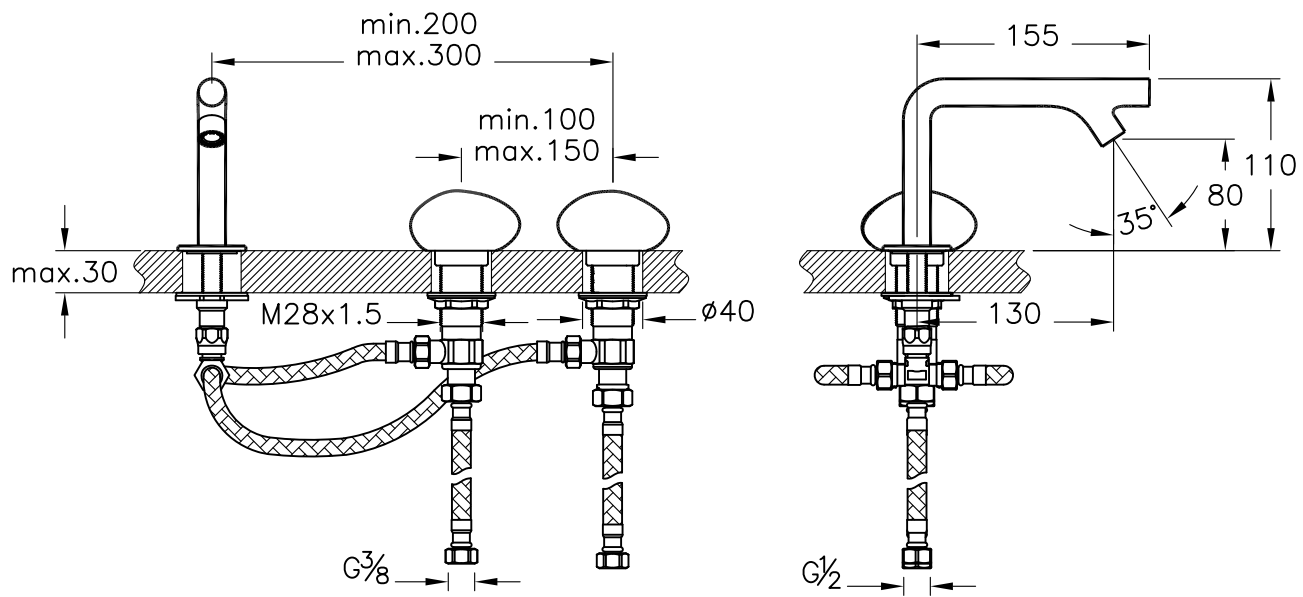


Theoretic Mass(kg)	Revision
Surface Area(dm ²)	A4

Thread	Hole	Shaft



R.S	Description	Date	NAME

1	1	Basin Mixer (for 3 hole basins)		A41807		
item	Quantity	Part Name		Drawing No	Material	Material Class
		Series	Material	Material Class		
		ISTANBUL	Basin Mixer (for 3 hole basins)			
Drawn By	Controlled By	Approved By	Date	Drawing No	Scale	VitrA® ARTEMA®
T. CETINEL	E. OZTURK	E. TALSİK	25.05.2011	A41807	1/5	

This drawing can only be used for the intended purposes. Unauthorized copying is strictly prohibited.