

Product data sheet
HEWI active+ Waste bin 477.05D100

HEWI



HEWI active+ Waste bin 477.05D100

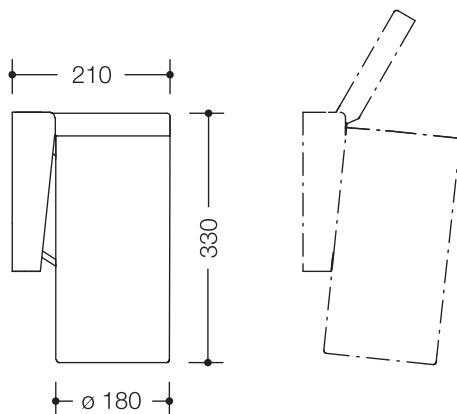
- cylindrical container with hinged lid
- removable waste container
- lid is opened by applying slight pressure to container with the knee or hand
- integrated compartment for standard hygienic bags
- with self-adhesive label with instructions for knee operation
- only suitable for wall mounting
- capacity approx. 6 litres
- 330 mm high and 210 mm deep and 180 mm in diameter
- rails made of high-quality polyamide in HEWI colour 98 (signal white), with active antimicrobial microsilver



HEWI active+

Similar picture

Dimensions in mm



Colour

98

Technical information subject to alteration, 16th August 2019

HEWI Heinrich Wilke GmbH
Postfach 1260
D-34442 Bad Arolsen

Telefon: +49 5691 82-366
Telefax: +49 5691 82-99366
international@hewi.com
www.hewi.com

HEWI (UK) Limited
Holm Oak Barn, Beluncle Halt
Stoke Road
Hoo Kent ME3 9NT

Phone +44 1634 258 200
Fax +44 1634 250 099
info@hewi.co.uk
www.hewi.com