

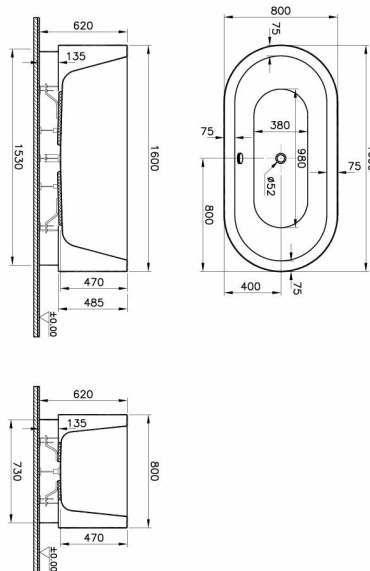
Name	4 Life Cocoon
Collection	4Life
Designer	NOA
Shape	Special
Guarantee	10 Years
Product feature	Foot included
Size	160x80
Panel options	Acrylic
Hydromassage option	Without Massage



Product Code: 54310001000

Description

160 cm, including Leg Set, Panel and Waste



VitrA reserves the right to make changes in products and technical details without prior notice.

All drawings contain the necessary measurements which are subject to standard tolerances. For exact measurements, in particular for customized installation scenarios, it can only be taken from the finished ceramic product.