

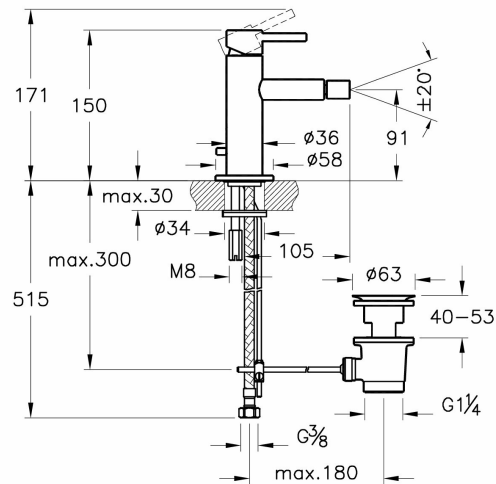
Name	Origin Bidet Mixer
Collection	Origin
Product Feature Info	Green Building Certification
Product Feature Info	European Water Label
Brand	VitrA
Water Label Class	A
Brassware Feature	Syphon Operated
Mounting type	Standard
Recommended Minimum Pressure	0.5-10 Bar (Recommended 3-5 Bar)
Flow Rate	5 L/min
Guarantee	10 Years
Segments	Mid-senior
Color	Matte Black
Designer	VitrA Design Team



Product Code: A4255936

## Description

Matte Black



VitrA reserves the right to make changes in products and technical details without prior notice.

All drawings contain the necessary measurements which are subject to standard tolerances. For exact measurements, in particular for customized installation scenarios, it can only be taken from the finished ceramic product.