

Product: KLUDI BINGO STAR single lever sink mixer DN 15

Ref.: 428590578

Product description

single lever sink mixer DN 15
 single hole mounted
 solid lever
 ceramic cartridge with hot water safety device
 aerator M 16,5 x 1
 water flow regulator 8,0 l/min
 flow rate 8,0 l/min at 3 bar
 swivel spout (360°)
 removable spout,
 protected against back flow
 flexible high pressure supply tubes 3/8 inch
 rapid installation set

Finishes:
 05 chrome

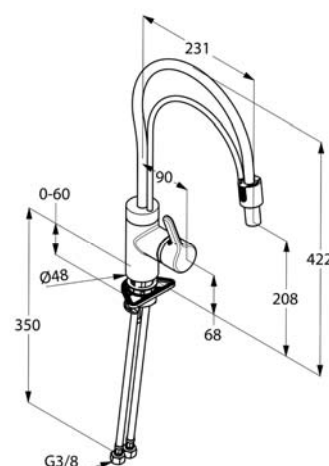
Advertisement

single lever sink mixer, manufacturer KLUDI GmbH & Co. KG
 KLUDI BINGO STAR item no. 428590578
 type: single lever sink mixer, DN 15 / PN 10, with flexible hose, with swivel spout (360°) and removable hand spout, chrome plated brass, solid lever chrome plated metal, ceramic cartridge K-35 with hot water safety device, aerator M 16,5 x 1, with water flow regulator 8,0 l/min, flow rate 8,0 l/min at 3 bar, protected against back flow, flexible high pressure supply tubes 3/8 inch with DVGW / W270 approval, rapid installation set
 dimensions: height: 422 mm, nozzle height: 208 mm, projection: 231 mm, lever projection: 90 mm

Product picture



Dimensional drawing



Flow rate diagram

