

Product: KLUDI SCOPE single lever sink mixer DN 8

Ref.: 339320575

Product description

single lever sink mixer DN 8
 solid lever
 single hole mounted
 flow rate 5 l/min
 aerator M 24 x I
 ceramic cartridge with hot water safety device
 swivelling (110°) spout, pull-out spray
 shank-fixing
 copper tubes Ø 8 mm
 for use with displacement heaters

Finishes:
 05 chrome

Product picture

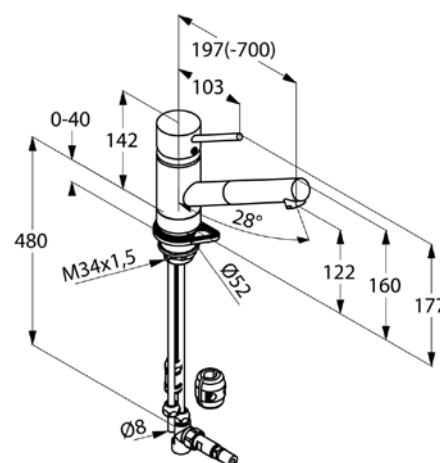


Advertisement

- * KLUDI GmbH & Co KG KLUDI SCOPE single lever sink mixer DN 10 item no. 339320575
- ** ceramic cartridge with hot water safety device Ø 35 mm, ajar to DIN EN 817, low pressure
- *** chrome plated brass, DIN 50930-6

single lever sink mixer, manufacturer KLUDI GmbH & Co KG KLUDI SCOPE single lever sink mixer item no. 339320575, DN 8, surface chrome plated brass, type: single lever sink mixer DN 8, swivel (range 110°) spout, pull-out spout (max. 700 mm), solid lever, lever projection 103 mm, aerator M 24 x I, noise level DIN 4109 group I, flow rate max. 5 l/min, shank fixing, copper tubes Ø 8 mm length 480 mm, with T-piece, with compression joint G 3/8 inch, ceramic cartridge with hot water safety device Ø 35 mm, for bore hole Ø 35 mm, nozzle height 122 mm, projection swivel spout 197 mm, overall length 142/177 mm, for use with displacement heaters, PN 0,

Dimensional drawing



Flow rate diagram

