

Product: **KLUDI L-LINE single lever sink mixer DN 10**

Ref.: **428210577**

Product description

single lever sink mixer DN 10
 solid lever
 single hole mounted
 flow class Z
 Cache aerator M 24 x 1
 ceramic cartridge with hot water safety device
 swiveling spout (220°), pull-out telescopic
 hand spray with horizontal guidance (245 – 315 mm)
 protected against back flow
 shank-fixing
 flexible high pressure supply tubes G 3/8
 noise group I

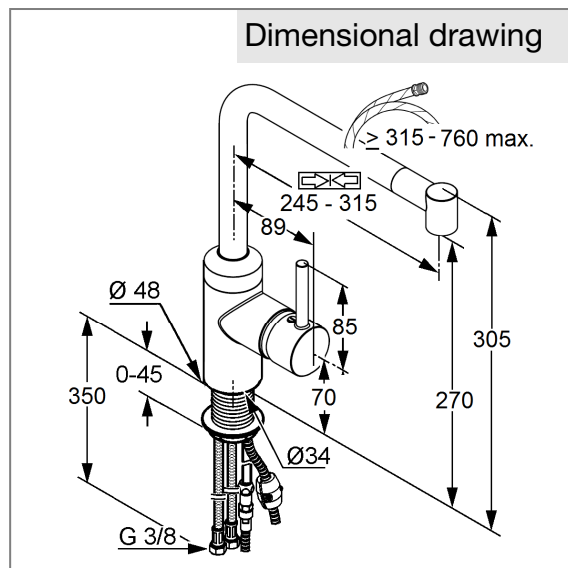
Finishes:
 05 chrome



Advertisement

single lever sink mixer, manufacturer KLUDI GmbH & Co. KG KLUDI L-LINE single lever sink mixer item no. 428210577, DN 10, chrome plated brass, type: single lever sink mixer DN 10 swiveling spout (220°), pull-out telescopic hand spray with horizontal guidance (245 – 315 mm), solid lever, lever projection 85 mm, Cache aerator M 24 x 1, noise level DIN 4109 group I, flow level Z = 0,17 l/s, nozzle projection 245 mm, flexible high pressure supply tubes 3/8 inch with DVGW / KIWA / WRAS / CSTB approval with metal body length 350 mm, nozzle height 270 mm, ceramic cartridge with hot water safety device Ø 35 mm, overall length 305 mm, protected against back flow DIN EN 1717, for borehole diameter Ø 34 mm, for pressure type water heater, for continuous line heater, PN 10

Dimensional drawing



Flow rate diagram

